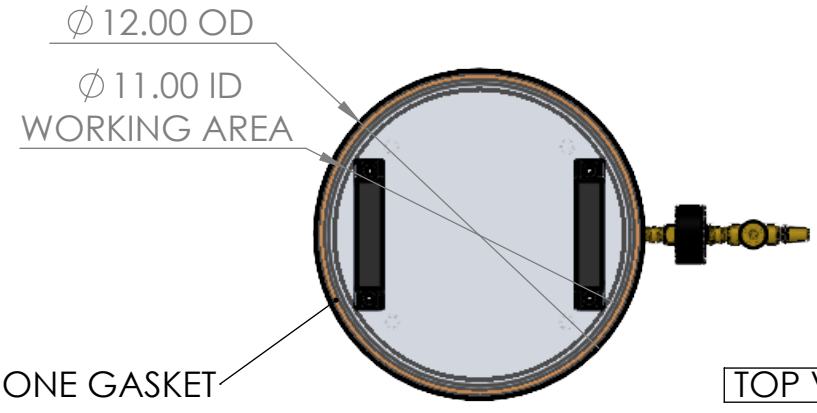


4

3

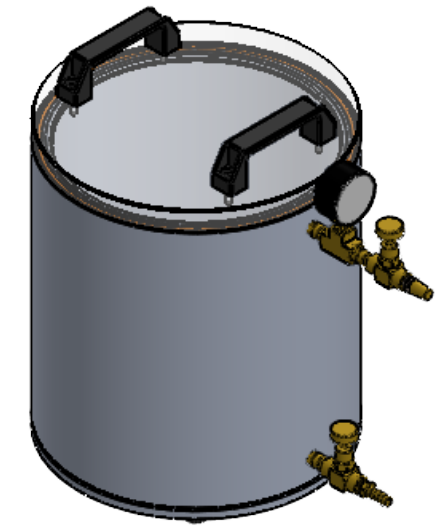
2

1



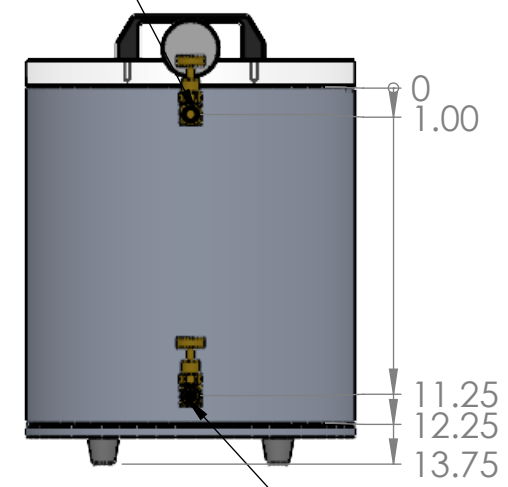
SYSTEM WEIGHT: 35 LBS
LID WEIGHT: 6 LBS

TOP VIEW



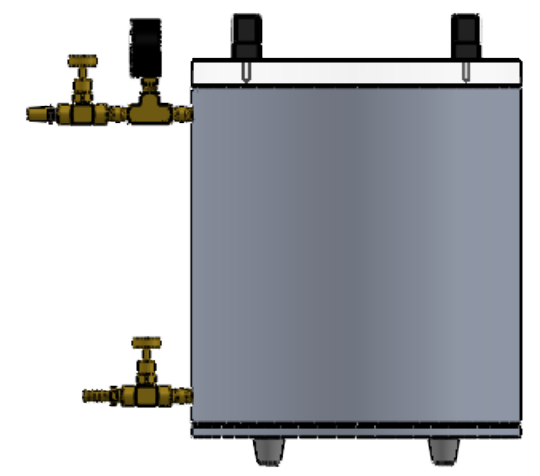
FRONT ISOMETRIC VIEW

VENT MANIFOLD
ANALOG GAUGE
NEEDLE VALVE



RIGHT SIDE VIEW

VACUUM MANIFOLD
BARBED HOSE FITTING
FOR 3/8" HOSE ID



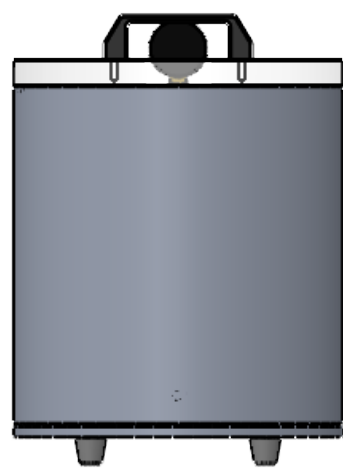
REAR VIEW

B

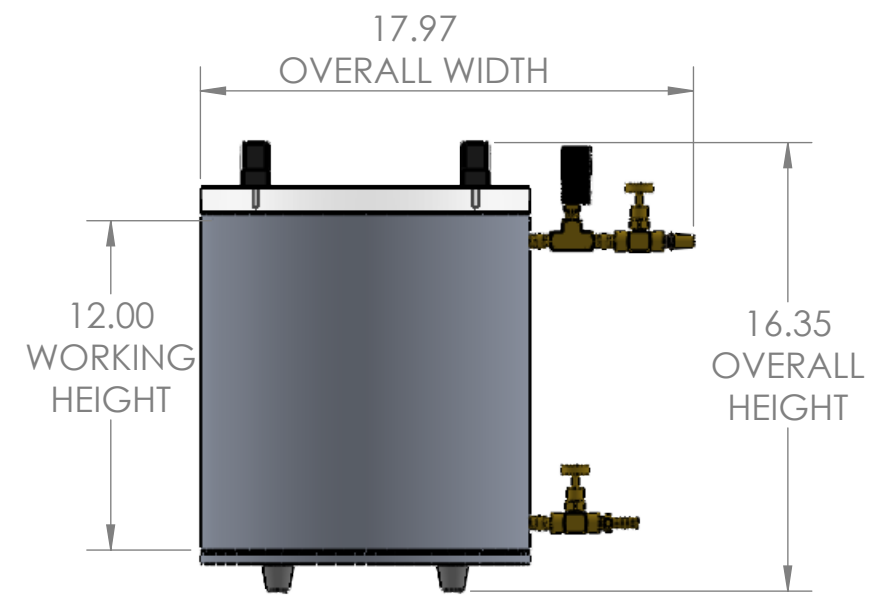
B

A

A

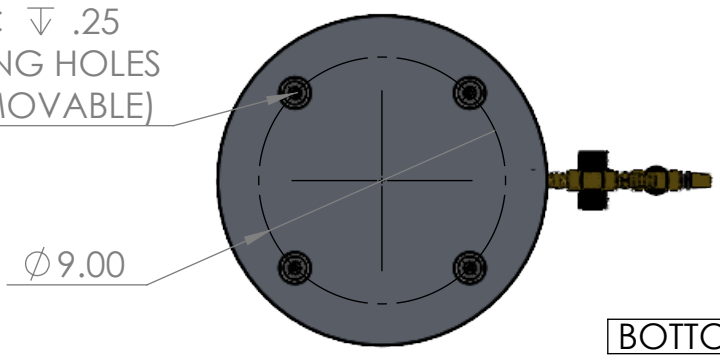


LEFT SIDE VIEW



FRONT VIEW

4X Ø .20 ∇ .40
1/4-20 UNC ∇ .25
BASE MOUNTING HOLES
(FEET ARE REMOVABLE)



BOTTOM VIEW

REMOVE ALL SHARP EDGES AND DEBURR. NO DENTS OR SCRATCHES ARE ACCEPTED.

PROPRIETARY AND CONFIDENTIAL

THE INFORMATION CONTAINED IN THIS DRAWING IS THE SOLE PROPERTY OF ABBESS INSTRUMENTS & SYSTEMS INC. ANY REPRODUCTION IN PART OR AS A WHOLE WITHOUT THE WRITTEN PERMISSION OF ABBESS INSTRUMENTS & SYSTEMS INC. IS PROHIBITED.

UNLESS OTHERWISE SPECIFIED:

DIMENSIONS ARE IN INCHES
TOLERANCES:
FRACTIONAL ± 1/16"
ANGULAR: MACH ± 0.01°
BEND ± 2°
TWO PLACE DECIMAL ±0.06
THREE PLACE DECIMAL ±0.005

DO NOT SCALE DRAWING

MATERIAL CHAMBER: AL 6061-T6 LID: ACRYLIC		Abbess Instruments & Systems	
FINISH		TITLE: 11" X 12" AL STOCK CHAMBER	
		DESIGN APPROVAL FULL ASSEMBLY	
DRAWN	NAME ABC	DATE 02.26.25	SIZE B
ENG APPR.	MJR	02.26.25	
MFG APPR.			
EXEC APPR.			
SERIAL NUMBER: SVCAL1112		DWG. NO. 8200-00	
P.O.:		REV 1	
		SHEET 1 OF 1	

4

3

2

1