

4

3

2

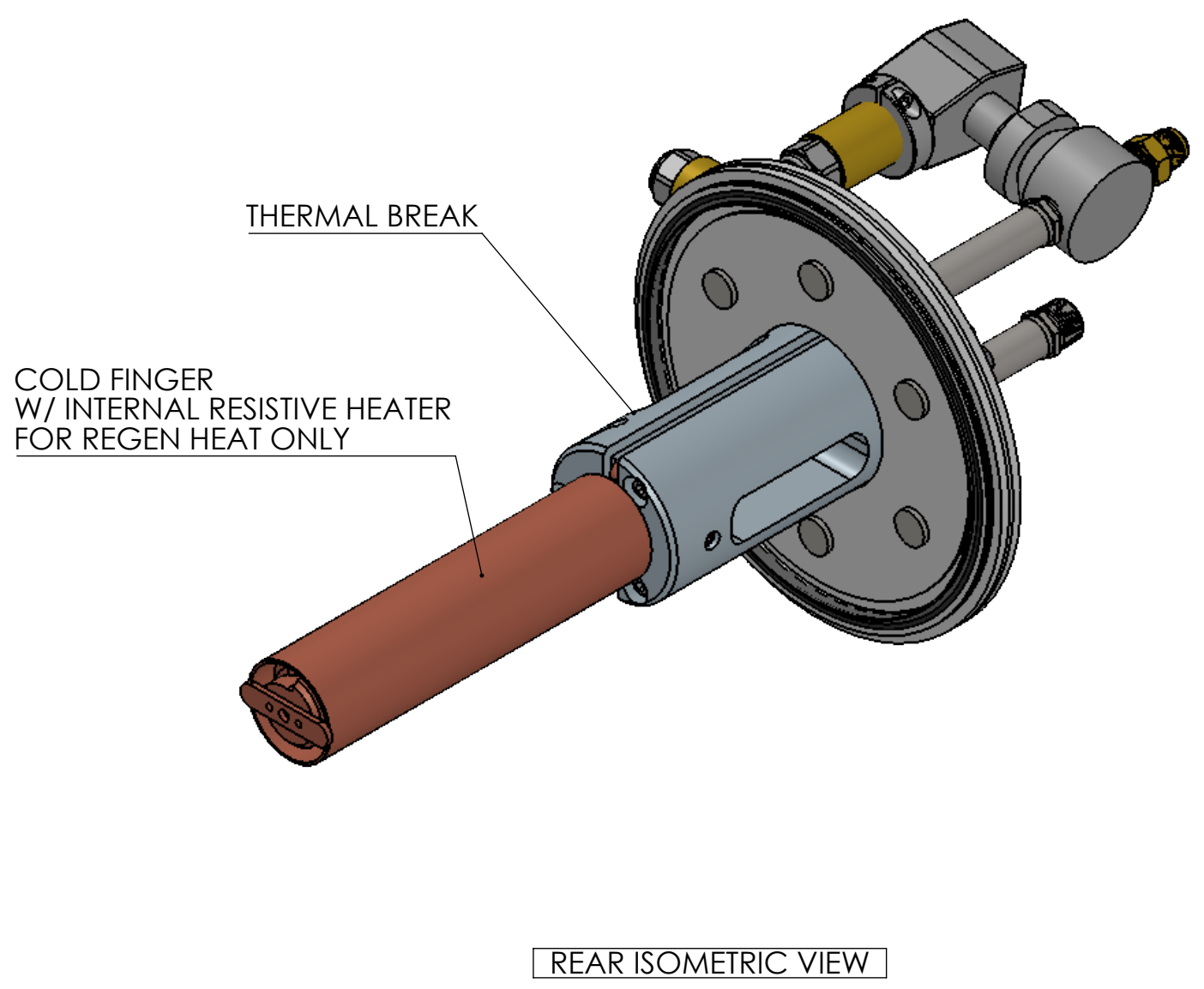
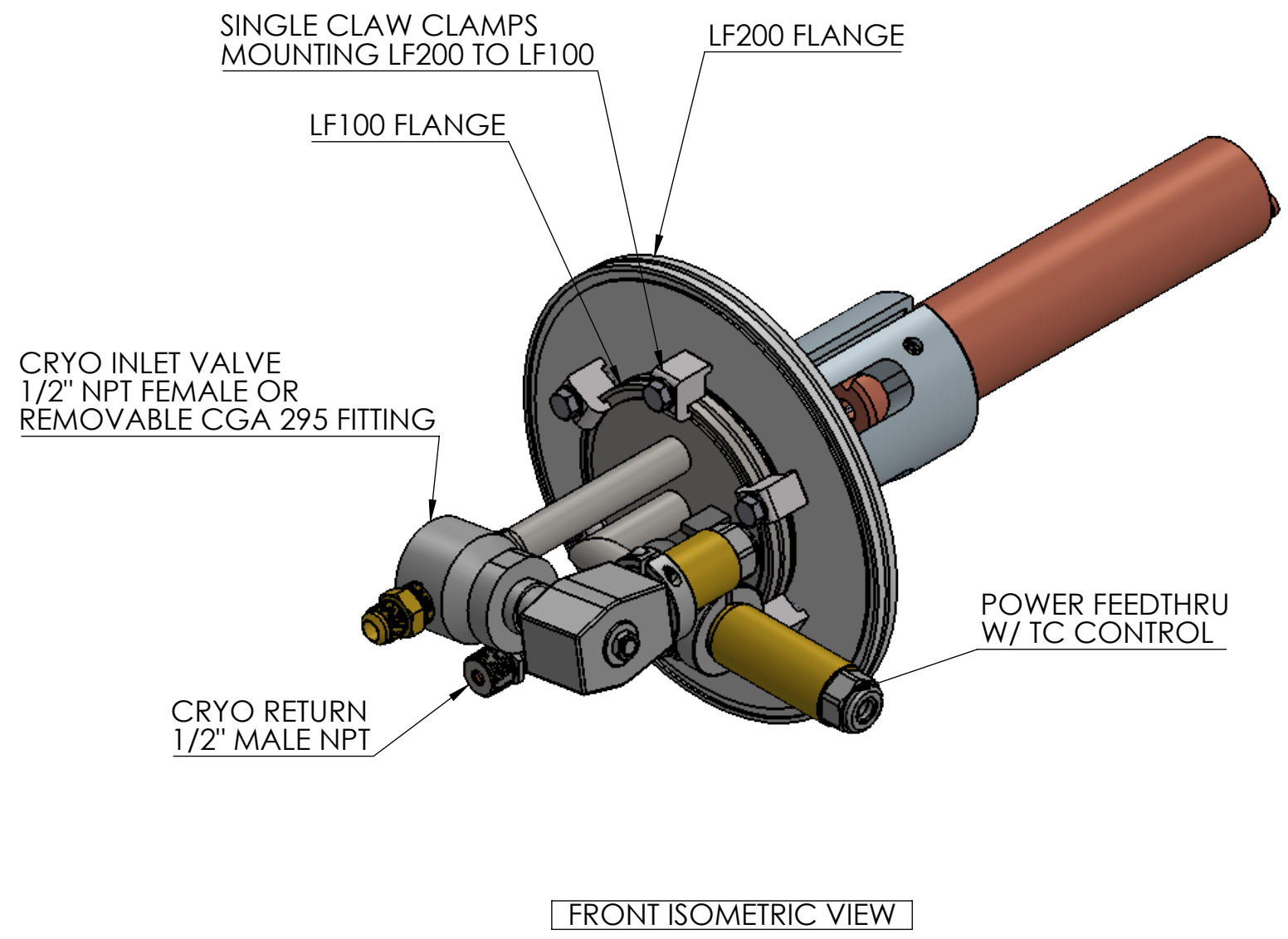
1

B

B

A


A



REMOVE ALL SHARP EDGES AND DEBURR. NO DENTS OR SCRATCHES ARE ACCEPTED.

PROPRIETARY AND CONFIDENTIAL
THE INFORMATION CONTAINED IN THIS DRAWING IS THE SOLE PROPERTY OF ABBESS INSTRUMENTS & SYSTEMS INC. ANY REPRODUCTION IN PART OR AS A WHOLE WITHOUT THE WRITTEN PERMISSION OF ABBESS INSTRUMENTS & SYSTEMS INC. IS PROHIBITED.

DO NOT SCALE DRAWING

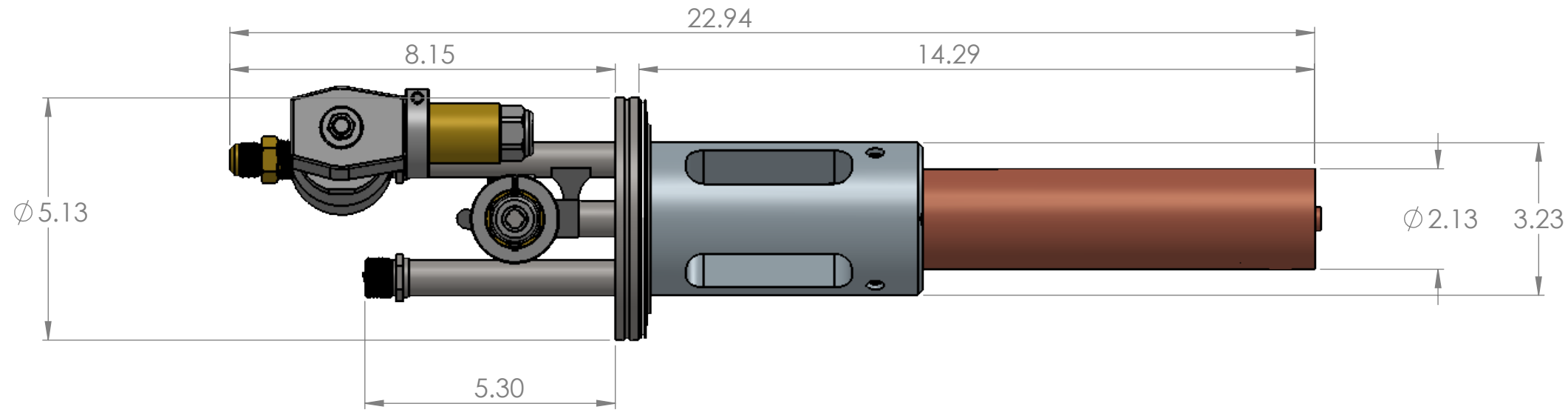
UNLESS OTHERWISE SPECIFIED:		NAME	DATE	 Abbess Instruments & Systems TITLE:
DRAWN				
ENG APPR.				
MFG APPR.				COLD FINGER FULL ASSEMBLY
EXEC APPR.				
MATERIAL	COMMENTS:		SIZE B DWG. NO. 8204-01 REV 1	
SCALE: 1:3			SHEET 1 OF 3	

4

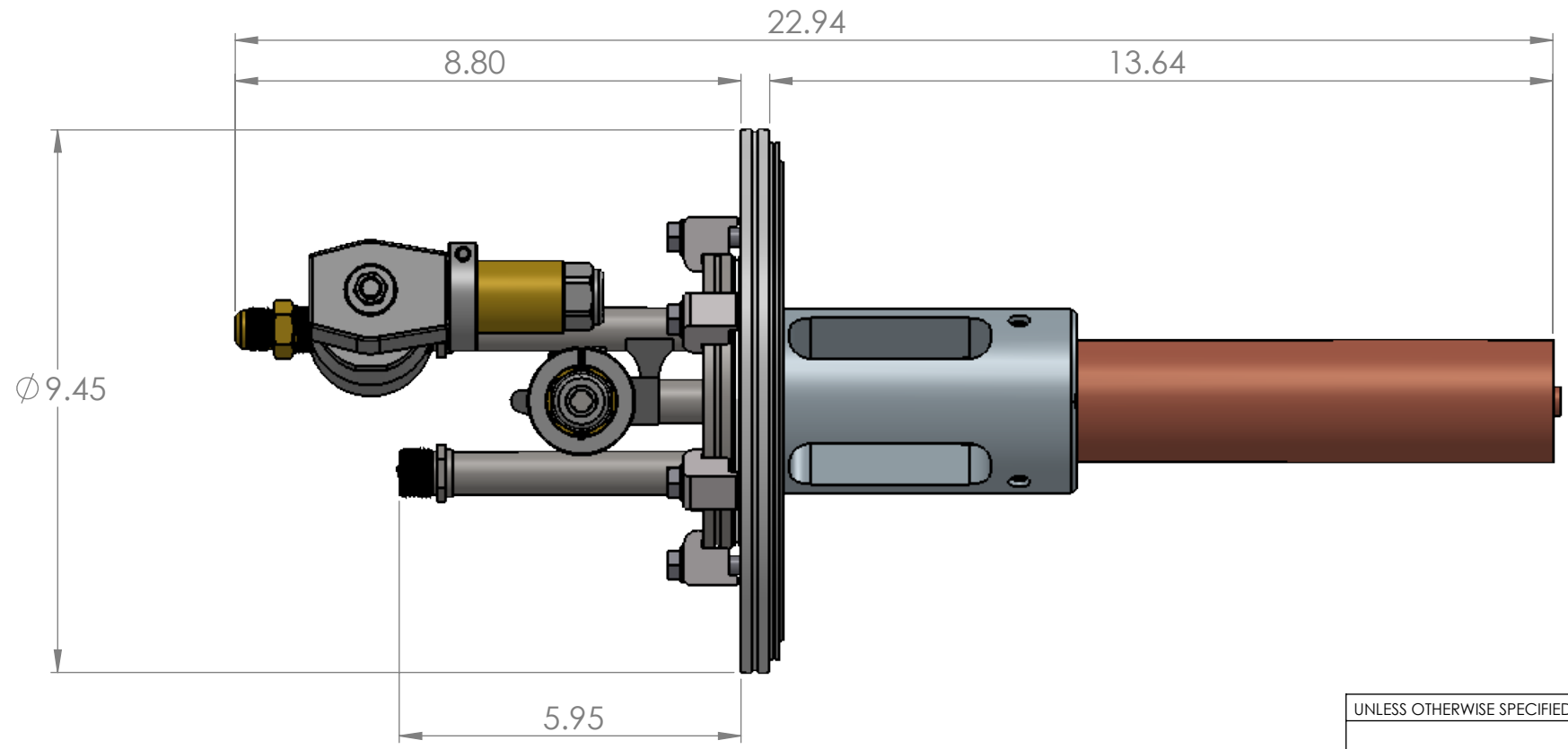
3

2

1



COLD FINGER
SIDE VIEW
LF100 MOUNTING FLANGE



COLD FINGER
SIDE VIEW
LF200 MOUNTING FLANGE

REMOVE ALL SHARP EDGES AND DEBURR.
NO DENTS OR SCRATCHES ARE ACCEPTED.

PROPRIETARY AND CONFIDENTIAL
THE INFORMATION CONTAINED IN THIS
DRAWING IS THE SOLE PROPERTY OF
ABBESS INSTRUMENTS & SYSTEMS INC. ANY
REPRODUCTION IN PART OR AS A WHOLE
WITHOUT THE WRITTEN PERMISSION OF
ABBESS INSTRUMENTS & SYSTEMS INC. IS
PROHIBITED.

UNLESS OTHERWISE SPECIFIED:		NAME	DATE	 Abbess Instruments & Systems TITLE:	
		DRAWN			
		ENG APPR.			
		MFG APPR.		COLD FINGER OVERALL DIMENSIONS	
		EXEC APPR.			
MATERIAL	COMMENTS:		SIZE B	DWG. NO. 8204-02	REV 1
FINISH	DO NOT SCALE DRAWING		SCALE: 1:3		SHEET 2 OF 3

4

3

2

1

B

B

A

A

4

3

2

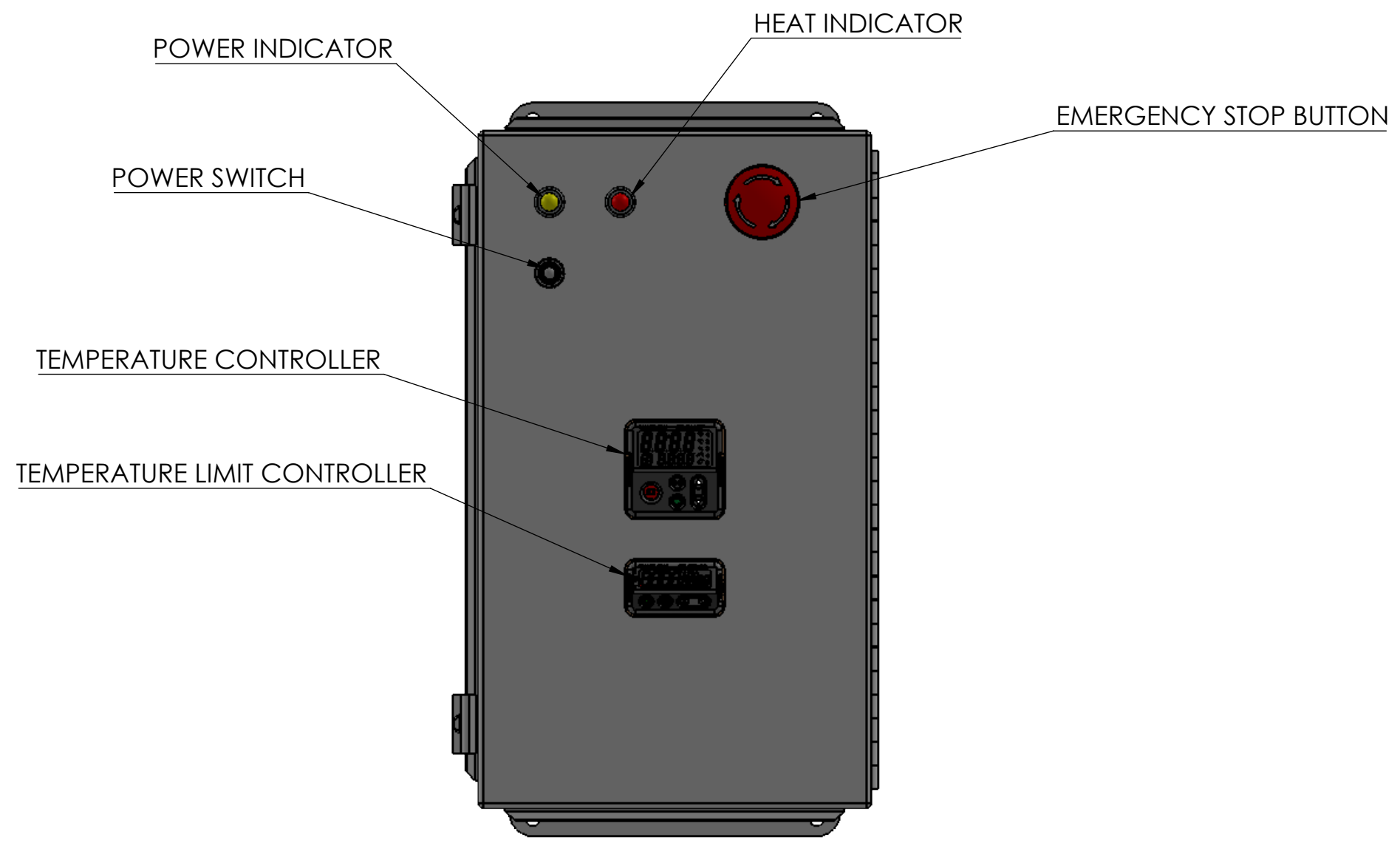
1

B

B

A


A



FRONT VIEW

REMOVE ALL SHARP EDGES AND DEBURR. NO DENTS OR SCRATCHES ARE ACCEPTED.

PROPRIETARY AND CONFIDENTIAL
 THE INFORMATION CONTAINED IN THIS DRAWING IS THE SOLE PROPERTY OF ABBESS INSTRUMENTS & SYSTEMS INC. ANY REPRODUCTION IN PART OR AS A WHOLE WITHOUT THE WRITTEN PERMISSION OF ABBESS INSTRUMENTS & SYSTEMS INC. IS PROHIBITED.

UNLESS OTHERWISE SPECIFIED:		NAME	DATE	 Abbess Instruments & Systems TITLE:
		DRAWN		
		ENG APPR.		
		MFG APPR.		
		EXEC APPR.		COLD FINGER CONTROL BOX
MATERIAL	COMMENTS:			
FINISH	DO NOT SCALE DRAWING			SIZE B DWG. NO. 8204-03 REV 1
			SCALE: 1:3	SHEET 3 OF 3

4

3

2

1