

EMITTER OUTPUT: 5000K, 4,000 LUMEN MAX
 TYPICAL ILLUMINANCE: >17,000 LUX @ 1' (INCL. 2" CLEAR ACRYLIC)
 POWER REQUIREMENTS: 20-25V DC, 1-1.6A

BILLET 7075 ALUMINUM HOUSING
 -SURFACE TREATMENTS AVAILABLE-

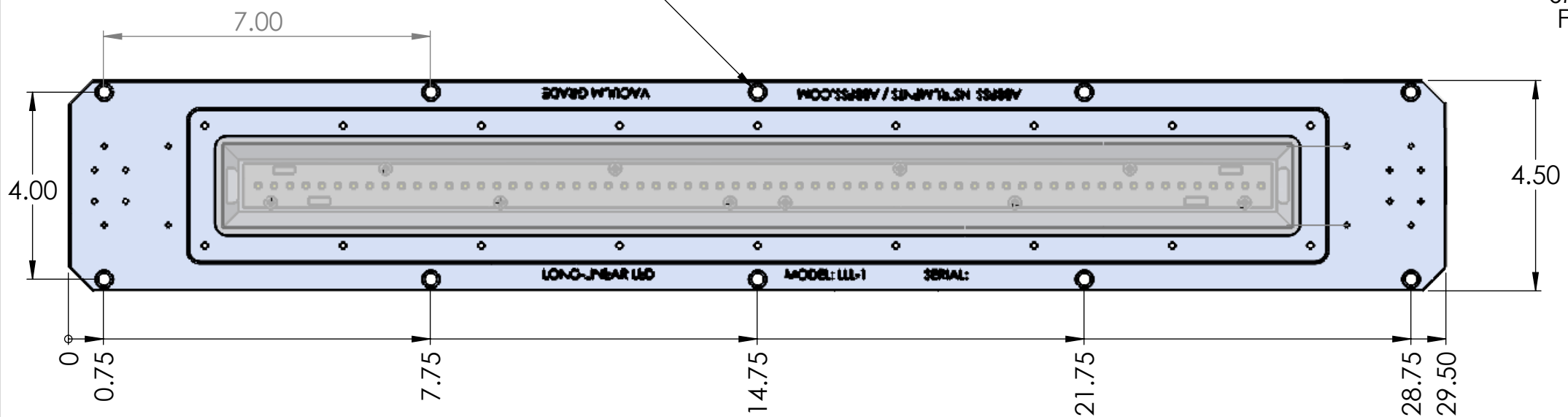
ALL STAINLESS
 STEEL FASTNERS

HIGH QUALITY
 LED EMITTER

PVDF FILM DIFFUSER
 SMOOTH EXTERIOR
 FOR EASY CLEANING

CLEARANCE
 REQUIRED
 FOR POWER
 LEADS

10 x ϕ 0.27 THRU
 HOLES FOR MOUNTING




AMBIENT OPERATING TEMPERATURE*: -190°C to +50°C
 MAX ENVIRONMENTAL TEMPERATURE
 (POWERED OFF): +125°C
 *PLEASE CONTACT ABBESS ENGINEERING
 FOR SPECIFIC DETAILS



REMOVE ALL SHARP EDGES AND DEBURR.
 NO DENTS OR SCRATCHES ARE ACCEPTED.

PROPRIETARY AND CONFIDENTIAL
 THE INFORMATION CONTAINED IN THIS
 DRAWING IS THE SOLE PROPERTY OF
 ABBESS INSTRUMENTS & SYSTEMS INC. ANY
 REPRODUCTION IN PART OR AS A WHOLE
 WITHOUT THE WRITTEN PERMISSION OF
 ABBESS INSTRUMENTS & SYSTEMS INC. IS
 PROHIBITED.

UNLESS OTHERWISE SPECIFIED:
 DIMENSIONS ARE IN INCHES
 TOLERANCES:
 FRACTIONAL $\pm 1/16"$
 ANGULAR: MACH $\pm 0.01^\circ$
 BEND $\pm 2^\circ$
 TWO PLACE DECIMAL ± 0.06
 THREE PLACE DECIMAL ± 0.005
DO NOT SCALE DRAWING

MATERIAL	MULTIPLE	 Abbess Instruments & Systems	
FINISH	MULTIPLE	TITLE: ABBESS LONG-LINEAR LED FIXTURE	
		NAME	DATE
DRAWN	MJR	2025-02-25	
ENG APPR.			
MFG APPR.			
EXEC APPR.			
SERIAL NUMBER:			
SIZE	B	DWG. NO.	REV
		8142-00 (LL-1)	5
P.O:	N/A	SHEET 1 OF 1	

PRODUCT OVERVIEW

SIZE **B** DWG. NO. 8142-00 (LL-1) REV 5

P.O: N/A SHEET 1 OF 1