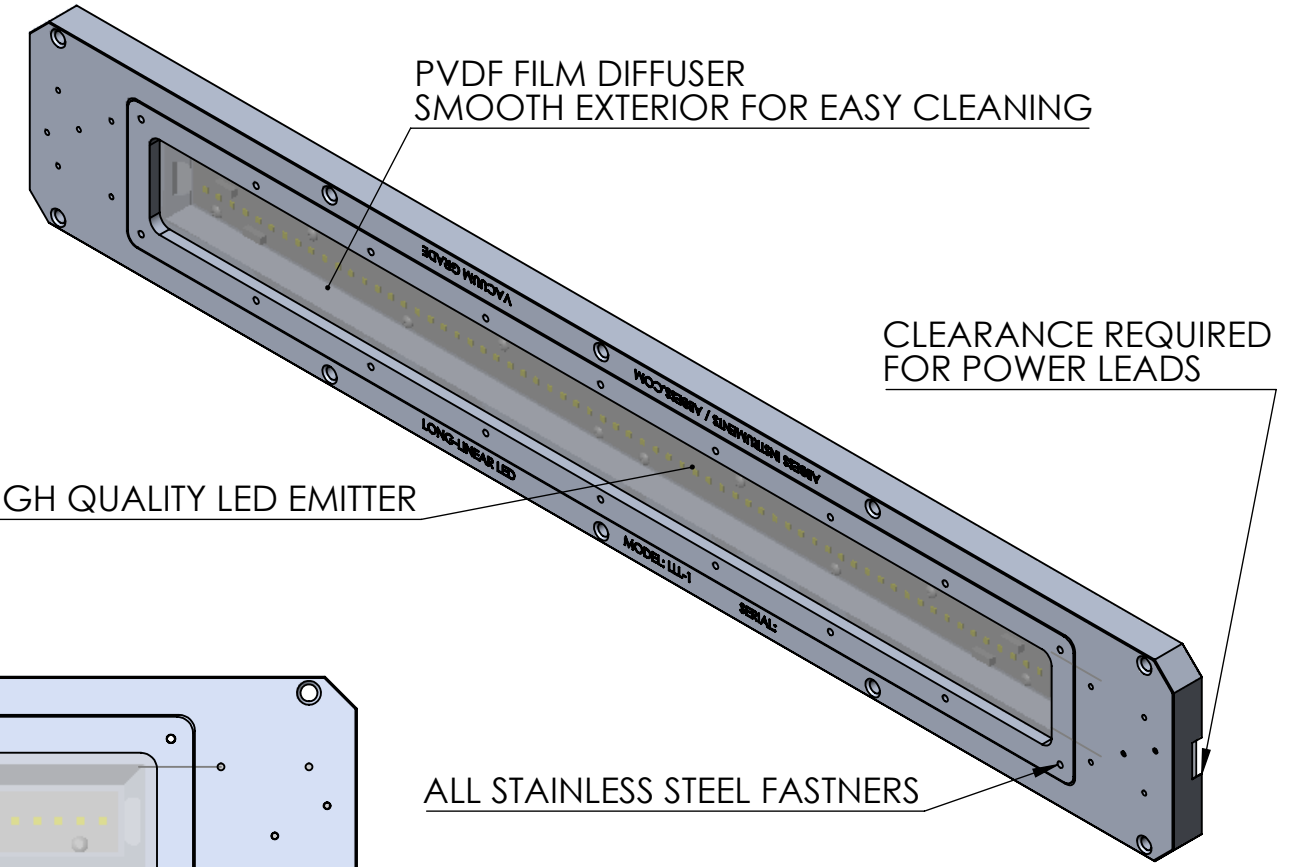
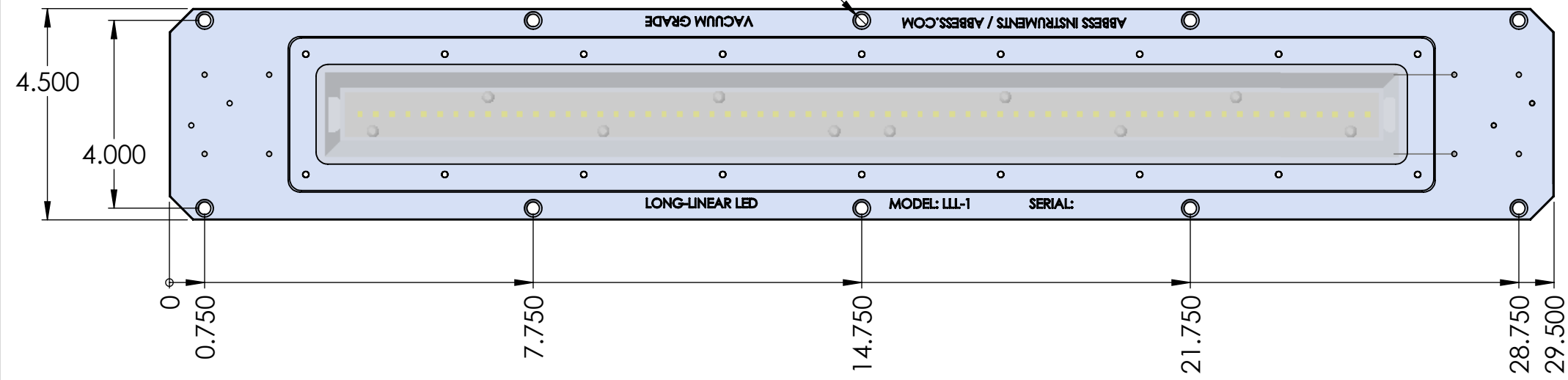


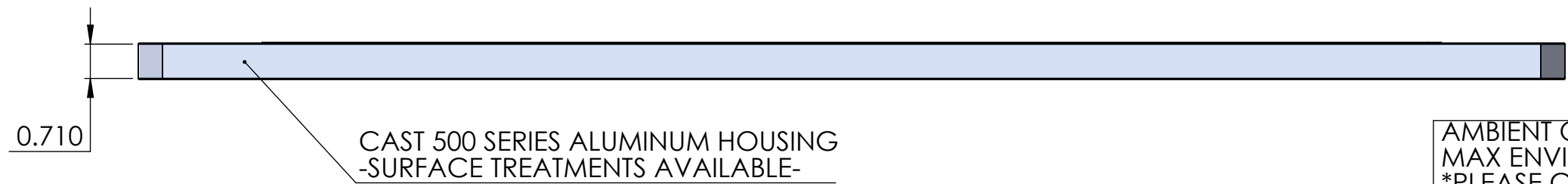
EMITTER OUTPUT: 5000K, 4,000 LUMEN MAX
 TYPICAL ILLUMINANCE: >17,000 LUX @ 1' (INCL. 2" CLEAR ACRYLIC)
 POWER REQUIREMENTS: 20-25V DC, 1-1.6A



10 x ϕ 0.266 THRU HOLES FOR MOUNTING



ALL STAINLESS STEEL FASTENERS



CAST 500 SERIES ALUMINUM HOUSING
 -SURFACE TREATMENTS AVAILABLE-

AMBIENT OPERATING TEMPERATURE*: -190°C to +50°C
 MAX ENVIROMENTAL TEMPERATURE (POWERED OFF): +125°C
 *PLEASE CONTACT ABBESS ENGINEERING FOR SPECIFIC DETAILS

NOTE: APPROPRIATE PSU CAN BE PURCHASED WITH THE FIXTURE.
 POWER FEEDTHROUGH AND EXTRA WIRE NOT INCLUDED STANDARD.

REMOVE ALL SHARP EDGES AND DEBURR.
 NO DENTS OR SCRATCHES ARE ACCEPTED.

PROPRIETARY AND CONFIDENTIAL
 THE INFORMATION CONTAINED IN THIS DRAWING IS THE SOLE PROPERTY OF ABBESS INSTRUMENTS & SYSTEMS INC. ANY REPRODUCTION IN PART OR AS A WHOLE WITHOUT THE WRITTEN PERMISSION OF ABBESS INSTRUMENTS & SYSTEMS INC. IS PROHIBITED.

UNLESS OTHERWISE SPECIFIED:		NAME	DATE	 Abbess Instruments & Systems TITLE: ABBESS LONG-LINEAR LED FIXTURE	
DIMENSIONS ARE IN INCHES TOLERANCES: FRACTIONAL $\pm 1/16"$ ANGULAR: MACH $\pm 0.01^\circ$ BEND $\pm 2^\circ$ TWO PLACE DECIMAL ± 0.06 THREE PLACE DECIMAL ± 0.005		DRAWN	Benjamin Zeamer		3/26/2024
MATERIAL MULTIPLE		ENG APPR.			
FINISH MULTIPLE DO NOT SCALE DRAWING		MFG APPR.			
		EXEC APPR.			
		COMMENTS:			
				PRODUCT OVERVIEW SIZE B DWG. NO. 8317-01 REV 5 P.O.: SHEET 1 OF 1	