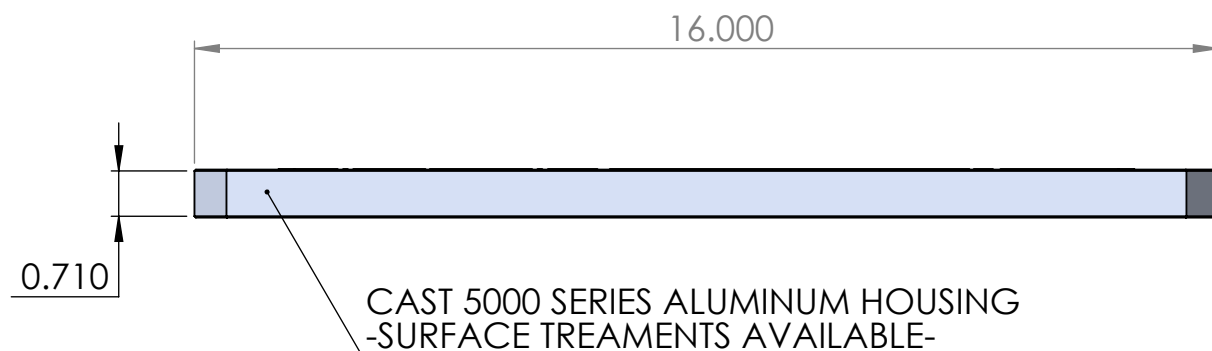
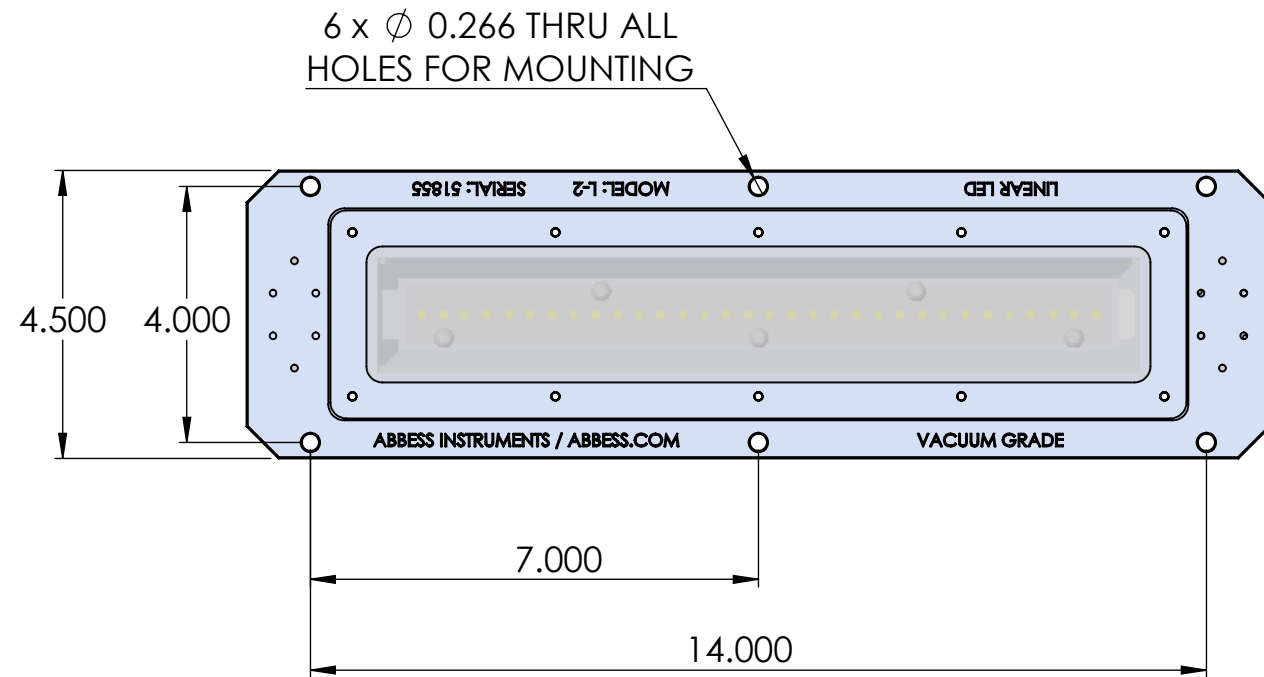


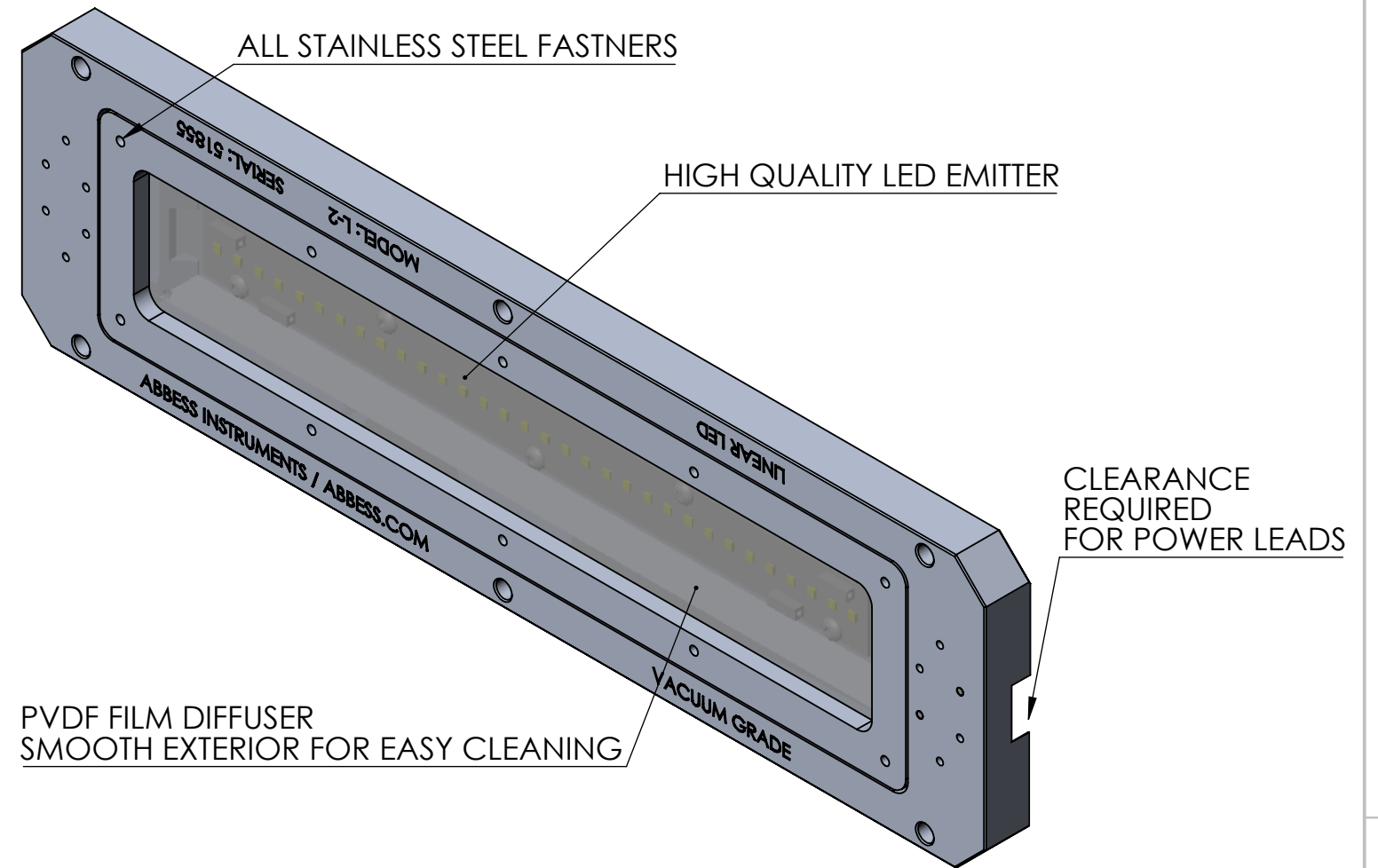
LIGHT OUTPUT OPTIONS:
 1. 3000K COLOR TEMP, 2000 LUMEN MAX
 2. 4000K COLOR TEMP, 2100 LUMEN MAX
 3. 5000K COLOR TEMP, 2200 LUMEN MAX
 POWER REQUIREMENT: 10-13V DC, 1-1.6A



NOTE: APPROPRIATE PSU CAN BE PURCHASED WITH FIXTURE.
 POWER FEEDTHRU AND EXTRA WIRE NOT INCLUDED STANDARD.

REMOVE ALL SHARP EDGES AND DEBURR.
 NO DENTS OR SCRATCHES ARE ACCEPTED.

PROPRIETARY AND CONFIDENTIAL
 THE INFORMATION CONTAINED IN THIS DRAWING IS THE SOLE PROPERTY OF ABBESS INSTRUMENTS & SYSTEMS INC. ANY REPRODUCTION IN PART OR AS A WHOLE WITHOUT THE WRITTEN PERMISSION OF ABBESS INSTRUMENTS & SYSTEMS INC. IS PROHIBITED.



AMBIENT OPERATING TEMPERATURE*: -190 °C to +50 °C
 MAX ENVIROMENTAL TEMPERATURE (POWERED OFF): +125 °C
 *PLEASE CONTACT ABBESS ENGINEERING FOR SPECIFIC DETAILS

UNLESS OTHERWISE SPECIFIED:		NAME	DATE	Abbess Instruments & Systems	
DIMENSIONS ARE IN INCHES TOLERANCES: FRACTIONAL: $\pm 1/16"$ ANGULAR: MACH $\pm 0.01^\circ$ BEND $\pm 2^\circ$ TWO PLACE DECIMAL ± 0.06 THREE PLACE DECIMAL ± 0.005	DRAWN	Benjamin Zeamer	3/11/2024	TITLE: ABBESS LINEAR LED FIXTURE	
	ENG APPR.			PRODUCT OVERVIEW	
	MFG APPR.				
MATERIAL MULTIPLE	EXEC APPR.			SIZE B	DWG. NO. 8227-01
FINISH MULTIPLE DO NOT SCALE DRAWING	COMMENTS:			REV 8	P.O.: N/A
				SHEET 1 OF 2	